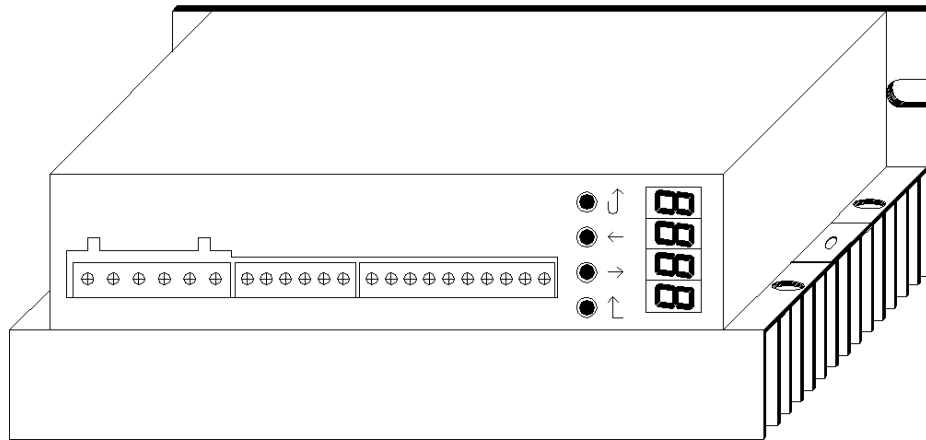


New Step Servo Driver-SS86D

Manual



Catalog

- 一、 Introduction
- 二、 Mechanical installation size
- 三、 Port Definitions
- 四、 Parameter setting
- 五、 Guarantee

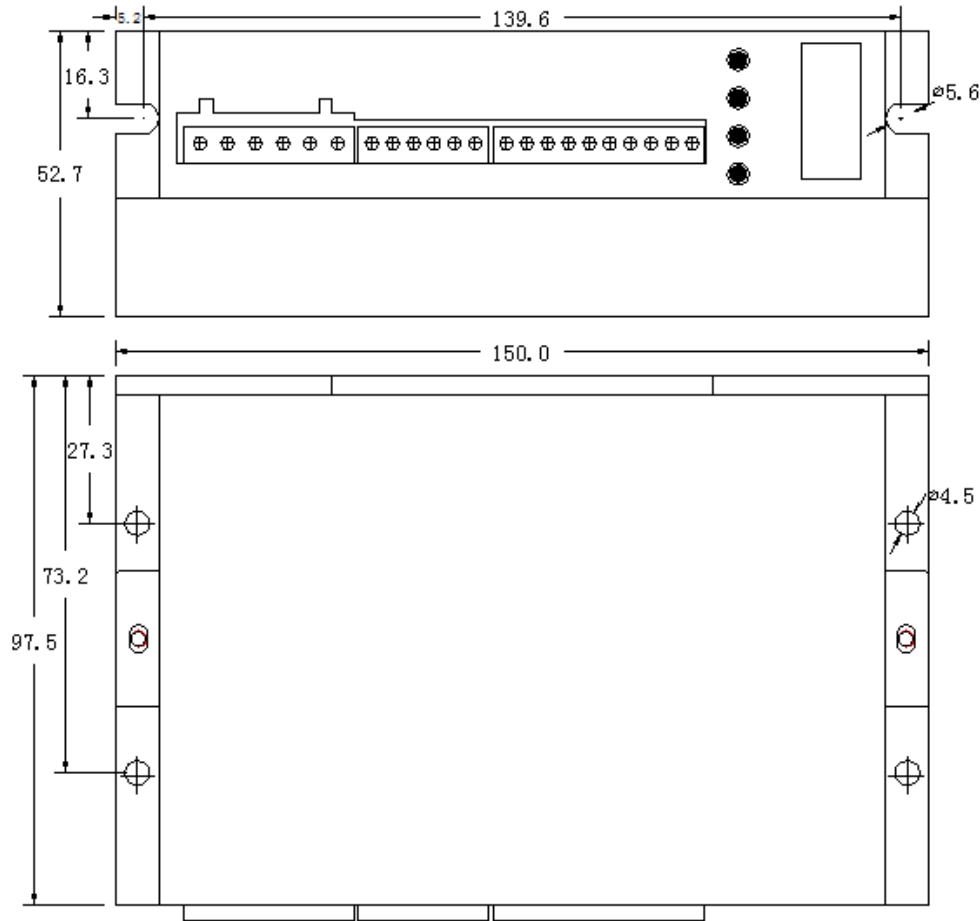
一、 Introduction

SS86D is a new digital step-servo driver, using a vector controlling technology. It can drive 57 series and 86 series step-motors.

SS86D can fit various automation equipments and instruments with below technical features:

- U Use of 32 bit motor control DSP
- U Use of vector servo control technology
- U Easy Operation with four LED Segment Displays and keyX4
- U Wide range of drive current drive current from 0 to 6.5A/phase
- U Can drive 57 series and 86 series hybrid step-motors
- U Opto-isolated signal input/output
- U Highest response frequency: 200Kpps
- U Provide 16 channels micro steps ,highest micro step: 51200 ppr
- U Provide Electronic Gear Ratio
- U Protection circuit: Over heat; Over current; Over voltage; Over-speed and position deviation
- U Net Weight:650g

二、Dimensions(unit:mm)



Picture 1

Caution:

(1) When the Driver temperature exceeds 40°C, the fan will start to work. When

the Driver temperature exceeds 70°C, the current will be cut off automatically and the Driver will not work till the temperature drops to 40°C. In case this happens, please install ventilation equipment.

三、Port definition and Drive connection

3.1 Port definition

A、 Step-motor and Power definition

Terminal Number	mark	function	Motor wire color
1	A+	A phase+	White
2	A-	A phase-	Green
3	B+	B phase+	Blue
4	B-	B phase-	Black
5	AC	Power input	AC18~ 80V/DC24-110V
6	AC	Power input	

B、 Encoder definition

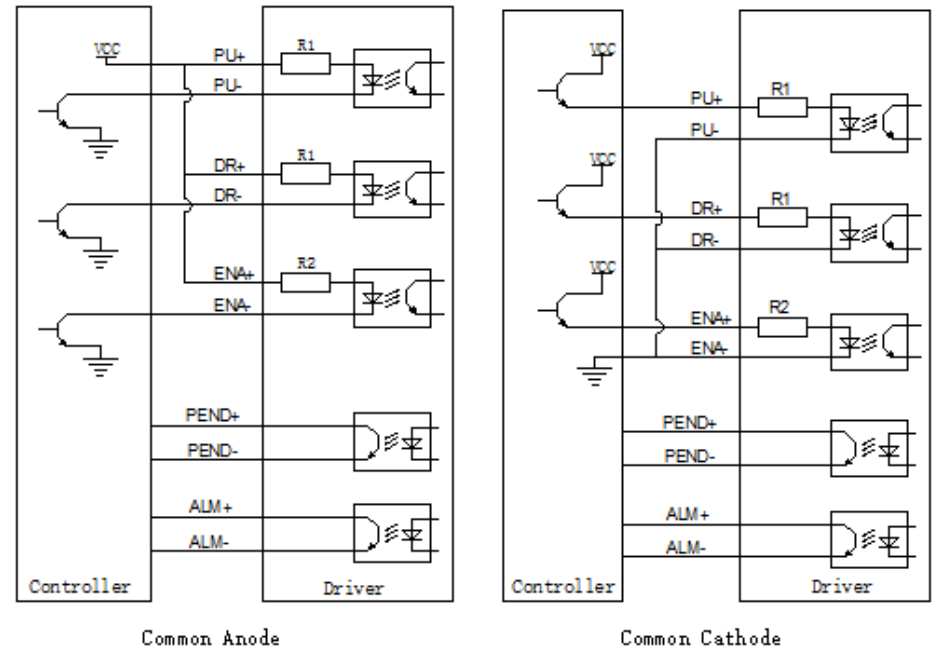
Terminal Assignment	mark	function	Wire color
1	EB+	Encoder B phase +	Yellow
2	EB-	Encoder B phase -	Green
3	EA+	Encoder A phase +	Black
4	EA-	Encoder A phase -	Blue
5	VCC	Encoder power +5V	Red
6	EGND	Encoder power GND	White

C、 Control signal

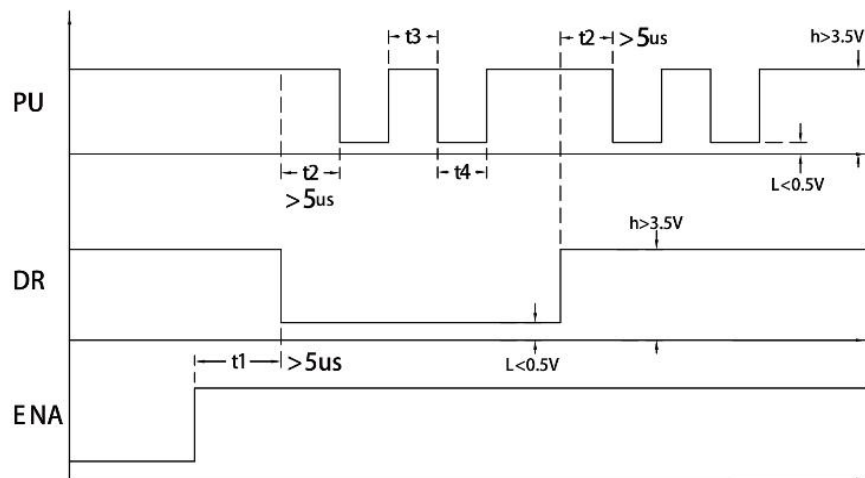
Terminal Assignment	mark	function	instruction
1	PU+	Pulse signal positive side	Input voltage range

2	PU-	Pulse signal negative side	from +5 to +24V
3	DR+	Direction signal positive side	Input voltage range from +5 to +24V
4	DR-	Direction signal negative side	
5	ENA+	Motor free signal positive side	When effects, the drive cut off motor current and set the motor free
6	ENA-	Motor free signal negative side	
7	Pend+	In-position signal positive side	When step-motor is in-position, the drive will give a signal to the PC
8	Pend-	In-position signal negative side	
9	ALM+	Warning signal positive output	When drive break down ,it will output ALM signal to the PC
10	ALM-	Warning signal negative output	

3.2 Control signal circuit



Picture 2(a) Control signal Interface Connection Diagram



Picture 2(b) Input Signal Oscilloscope

四、Parameter setting

SS86D have four LED Segment Displays and four keys : ↶, ↓, ↑ and ↷.

Key function

key	instruction
↶	back, cancel; return to the previous menu, cancel the operation
↓	PgDn、 adjust data when value is modified
↑	PgUp、 shift data when value is modified
↷	Enter the parameter setting model(press the key for 3 seconds)

When the drive start to work, it displays the driver version first, then it displays the state of driver after 3 seconds. when the step-motor start to work, it displays the speed of step-motor(r/min).Once the step-motor reverses, the top byte of speed value flashes.

4.1 Parameter function instruction

4.1.1 parameter function table

parameter	function	value	Factory Setting	instruction
P000	Password	For details, see form 4.1.2	0000	modify the value of P100 to P109
P001	Micro step setting	SEt, 2--256	10	17 channels
P002	Set direction of step-motor rotation	0、 1	0	Set the motor rotate direction
P003	Select the motor type	57、 86	57	57or86 motor type
P004	Setting Position Deviation	1--9999	4000	
P005	Standby Current Ratio	0~100%	50	
P006	Electronic Gear Ratio(Numerator)		1	
P007	Electronic Gear Ratio (Denominator)		1	
P020	Low-4-bit of Input pulse	~		Display the value of input pulse
P021	High-4-bit of Input pulse	~		
P100	Running Current Ratio	10---120%	100	*
P101	Current Loop Gain	1--1000	115	Modify is forbidden
P102	Current Loop Integral Time Constant	1--1000	45	Modify is forbidden
P103	Current Loop Damping Factor	1--1000	830	Modify is forbidden
P104	Speed Loop Gain	1--1000	65	Modify is

				forbidden
P105	Speed Loop Integral Time Constant	1--1000	85	*
P106	Position Loop Gain	1--1000	50	*
P107	Speed Loop Feed-forward	1--100	95	*
P108	Enable	0、1	1	*
P109	Speed Loop Damping Factor	1--100	15	*
P110	Setting I/O Level signal	0000--1111	0000	Setting level signal of ENA, Pend and ALM.0 or 1 is valid
P111	positioning accuracy	1-50	1	± 1 pulse.The bigger the value, the bigger the positioning error; When the load is too heavy, the resonance can be suppressed.
P112	resonance coefficient	1-12	6	Under the same inflexibility, the smaller the value, the shorter the positioning time, the more easily resonance occurs

P200	Run MODE	0、1	0	0: position mode; 1: speed mode
P201	Speed setting in speed mode	1-3000	60	Self-inspection pulse (rev/min)
P202	acceleration time in speed mode		100	ms

NOTE:

◆ Default value of **P110** is 0000,

$$\mathbf{P110} = \frac{0}{A} \frac{0}{B} \frac{0}{C} \frac{0}{D}$$

D=0, When malfunction occurs, **ALM** output is low impedance;

D=1, When malfunction occurs, **ALM** output is high impedance;

C=0, When step-motor is in-position, **Pend** output is low impedance;

C=1, When step-motor is in-position, **Pend** output is high impedance;

B=0 or 1, this bit is undefined;

A=0,when **ENA** input signal is low – level, the drive cut off motor current and set the motor free.

A=1,when **ENA** input signal is high – level, the drive cut off motor current and set the motor free.

◆ **P200: Speed Mode Setting(Self-inspection pulse)**

PU- point signal input level	DR- point signal input level	function
0	0	Motor stopped
0	1	Clockwise(Self-inspection pulse)
1	0	Counter clockwise(Self-inspection pulse)
1	1	Motor stopped

4.1.2 Function of P000

P000	function
------	----------

0001	modify the value of P100 to P110
1111	Reset to Factory Defaults
0100	soft-startup the fan
0101	Display the speed of motor
0102	Display the value of DC bus voltage
0103	Display the temperature value of Drive
0104	Display position error
0105	Display ex-factory date
0106	History fault
0200	Self-inspection pulse

NOTE:

When P000 is “0200”, the internal drive will run at 60 rev / min. In this mode, pressing ↓ down the speed of motor, pressing ↑ raise the speed of motor, speed ranging from -300 to +300, pressing ↵ cancel this mode.

4.1.3 subdivision table

Micro step	SEt	2	4	5	8	10	16	20	25
Micro step	32	40	50	64	100	128	200	256	Null

Servo Response:

1.Higher the speed loop gain(P104) or smaller the speed loop integral time constant(P105), faster the speed control response will be. But due to machine feature, machine vibration may result due to excessive speed loop gain.

2.Higher the position loop gain(P106), faster the position control response will be with fewer errors. But due to machine feature, machine vibration may result due to excessive position loop gain. The position loop gain is enabled in the zero-position fixed mode.

3.Speed feed-forward(P107) reference is the function that reduces the positioning time by feed-forward compensation in position control. The max value is 100.

【Terminology】 Feed-forward Control: It indicates the necessary corrective action that

is performed prior to external interference in the control system. Once it is activated, servo gain will rise and the response performance will be improved.

NOTE:

- 1、 Provides 16 kinds of micro step selection, upmost micro step can be set to 200x.
- 2、 When the step-motor rotation direction and the system direction given by the controller are opposite, please change the value of parameter P002.
- 3、 When you select SEt (the value of P001),the micro step of Servo Drive is Electronic Gear Ratio.

If the deceleration ratio of the servomotor and the load shaft is given as n/m where m is the rotation of the servomotor and n is the rotation of the load shaft, the electronic gear ratio is calculated as below:

$$\text{Electronic gear ratio} = \frac{P006}{P007} = \frac{\text{Encoder.resolution.ratio}}{\text{Displacement.per.load.shaft.revolution(reference.units)}} \times \frac{m}{n}$$

Note that: $\frac{1}{20} \leq \text{Gear Ratio} \leq 20$

Encoder resolution ratio indicates the count of pulses output by the encoder during one motor rotation.

Orthogonal incremental encoder resolution ratio = Number of wires * 4

For example:

Displacement per load shaft revolution =6000(pulse)

Number of wires=1000

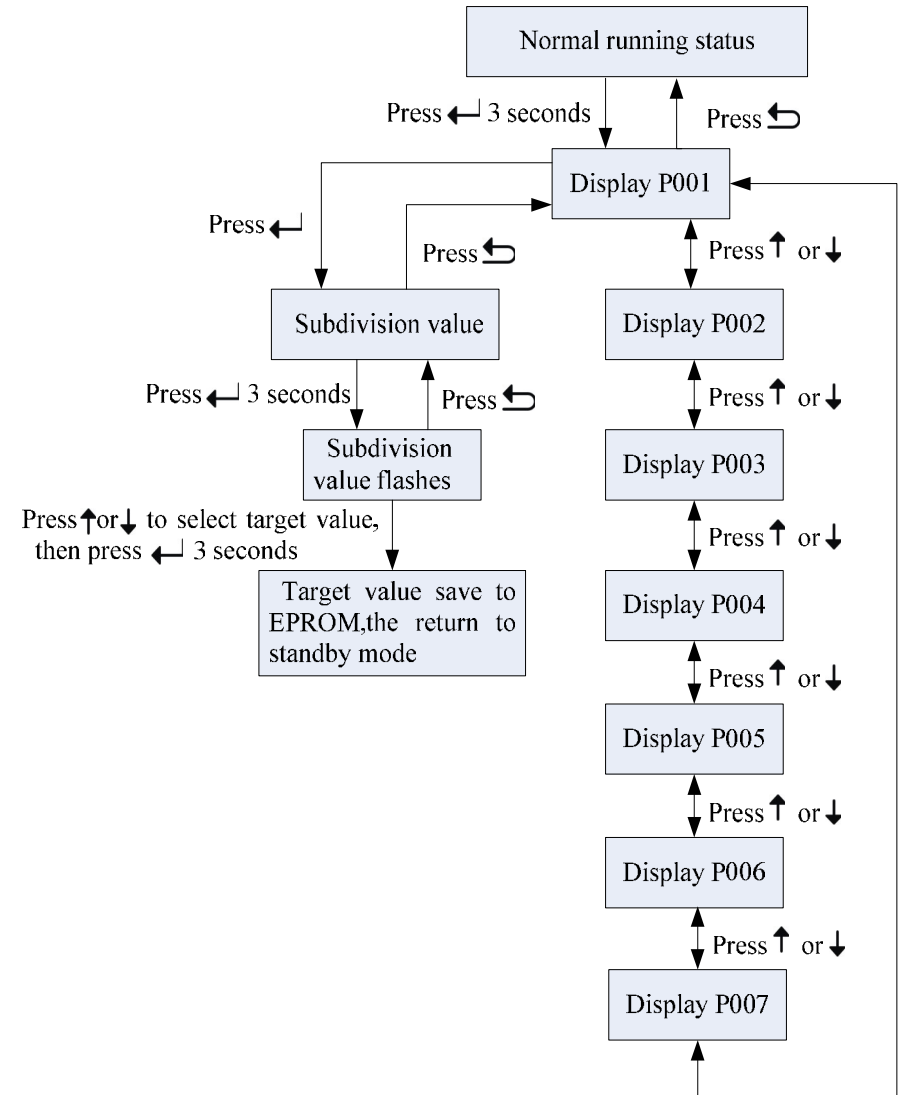
$m=1, n=1$

$$\text{Gear Ratio} = \frac{P006}{P007} = \frac{1000 * 4}{6000} \times \frac{1}{1} = \frac{2}{3}$$

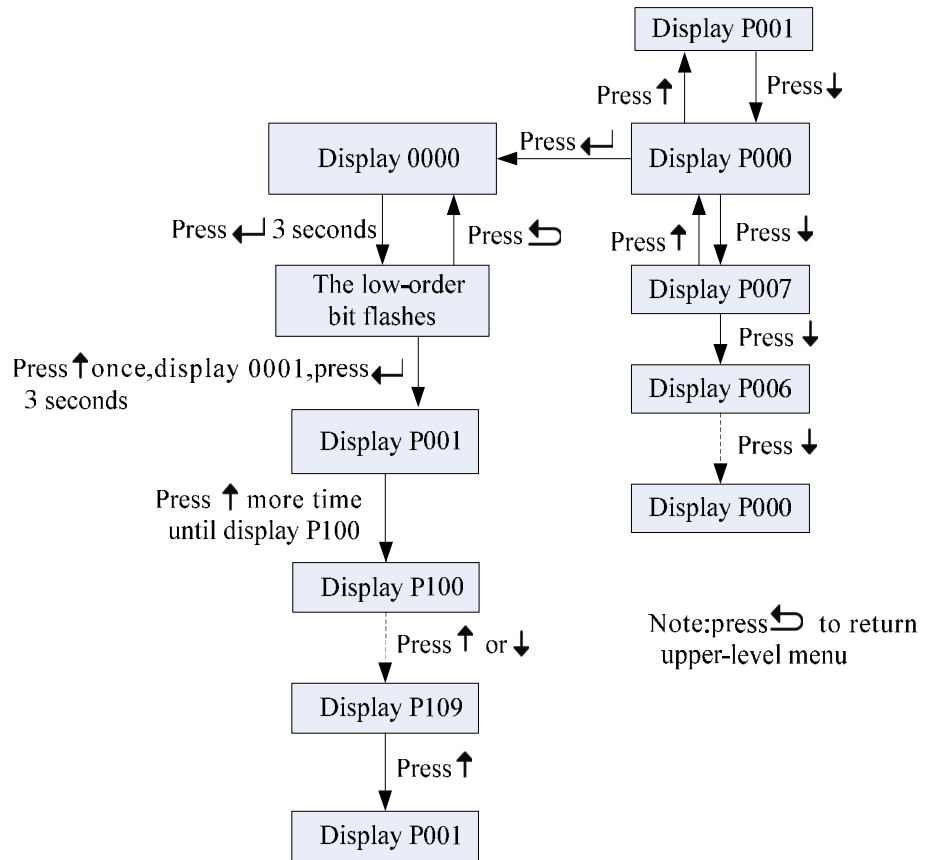
Calculation as below: P006=2, P007=3

4.2 How to set parameter

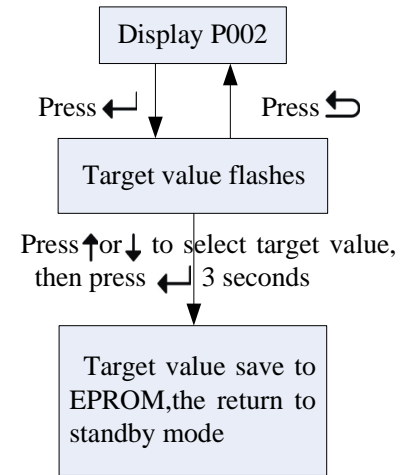
Picture 4.2.1



Picture 4.2.2

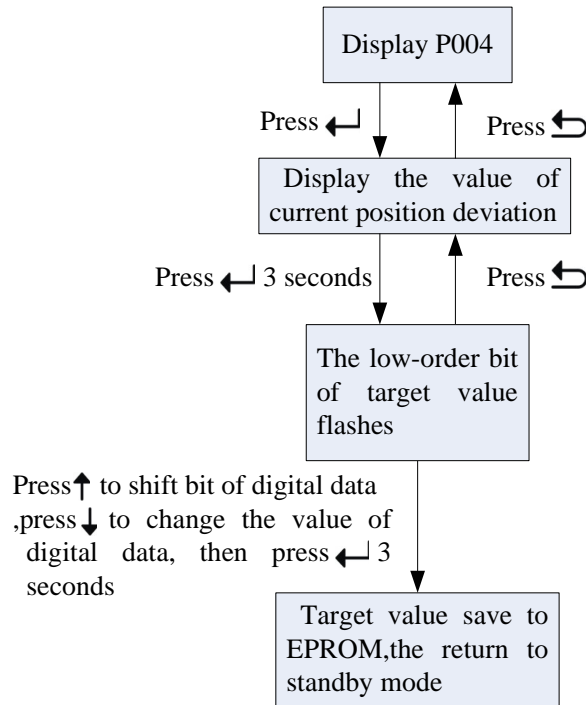


Picture 4.2.3



Caution: Operation of P003 is same as P002

Picture 4.2.4



Caution:Operation of P005 until to P109 is same as P004

Note:

- 1.P000 will return to factory setting when the Drive restart
- 2.When P000 is “1111”,all parameters will reset to Factory defaults

4.3 Alarm code

When malfunction occurs, the driver will display corresponding alarm code, and more will be shown in turn if more alarm signals.

4.3 Alarm Code

ALM code	function	instruction
Er 01	Over current	When current exceeds rated value, the drive will stop running
Er 02	Over-speed	The max speed is 3000r/min
Er 03	Position deviation	When position deviation value exceeds rated value, the driver will stop running
Er 04	Over heat	The max value is over 80℃
Er 05	Over DC voltage	When input voltage exceeds rated value, the driver will stop running, the voltage range from AC18~80V
Er 06	EPROM happen fault	Reading or Writing EPROM is failure
Er 07	Encoder fault	Check up Encoder wire
Er 08	Motor fault	Motor lack phase

五、Warranty Terms

Our company will provide warranty of 1 year from the delivery date and free maintenance under warranty.